

MAE 2250

Lamp Project



A



B



C



D



E

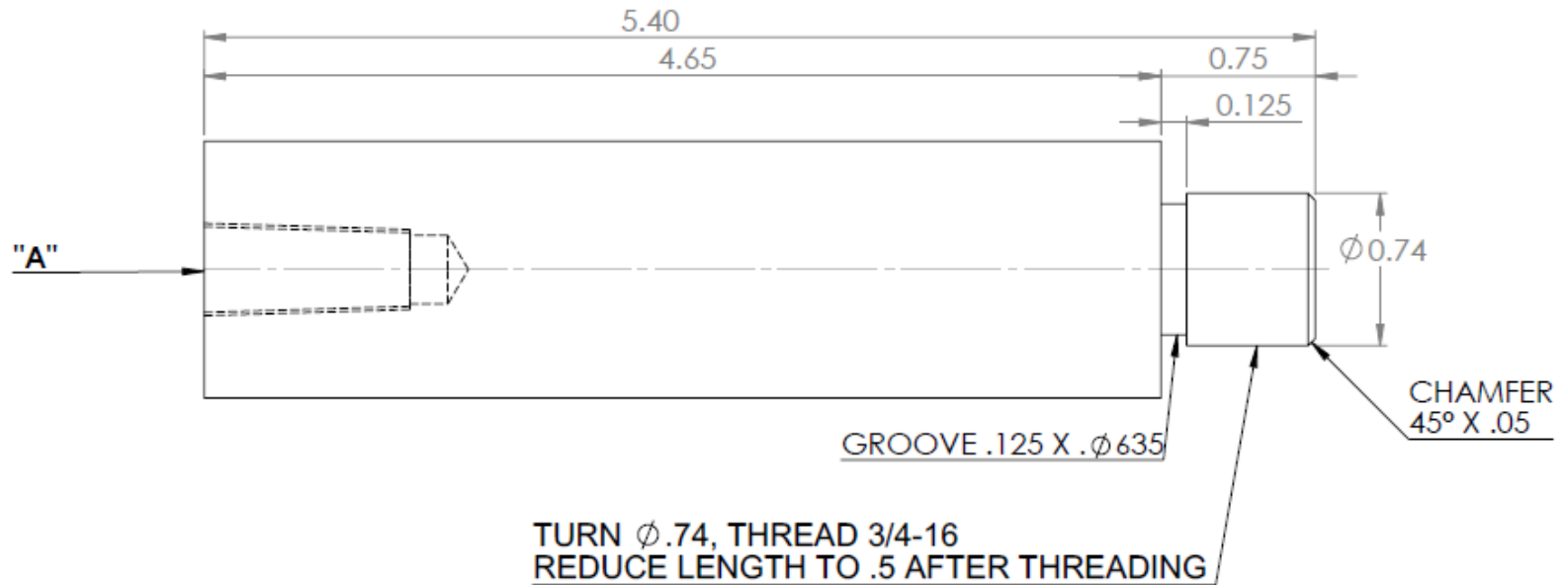
Learning Objectives:

- Learn machine tool safety
- Be familiar with major machines in Emerson Lab to help prepare for upcoming projects
- Be familiar with how to read drawings

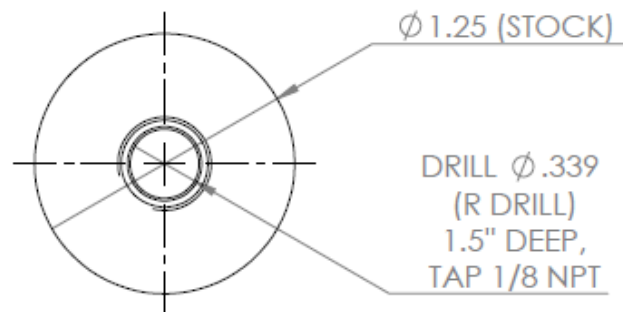




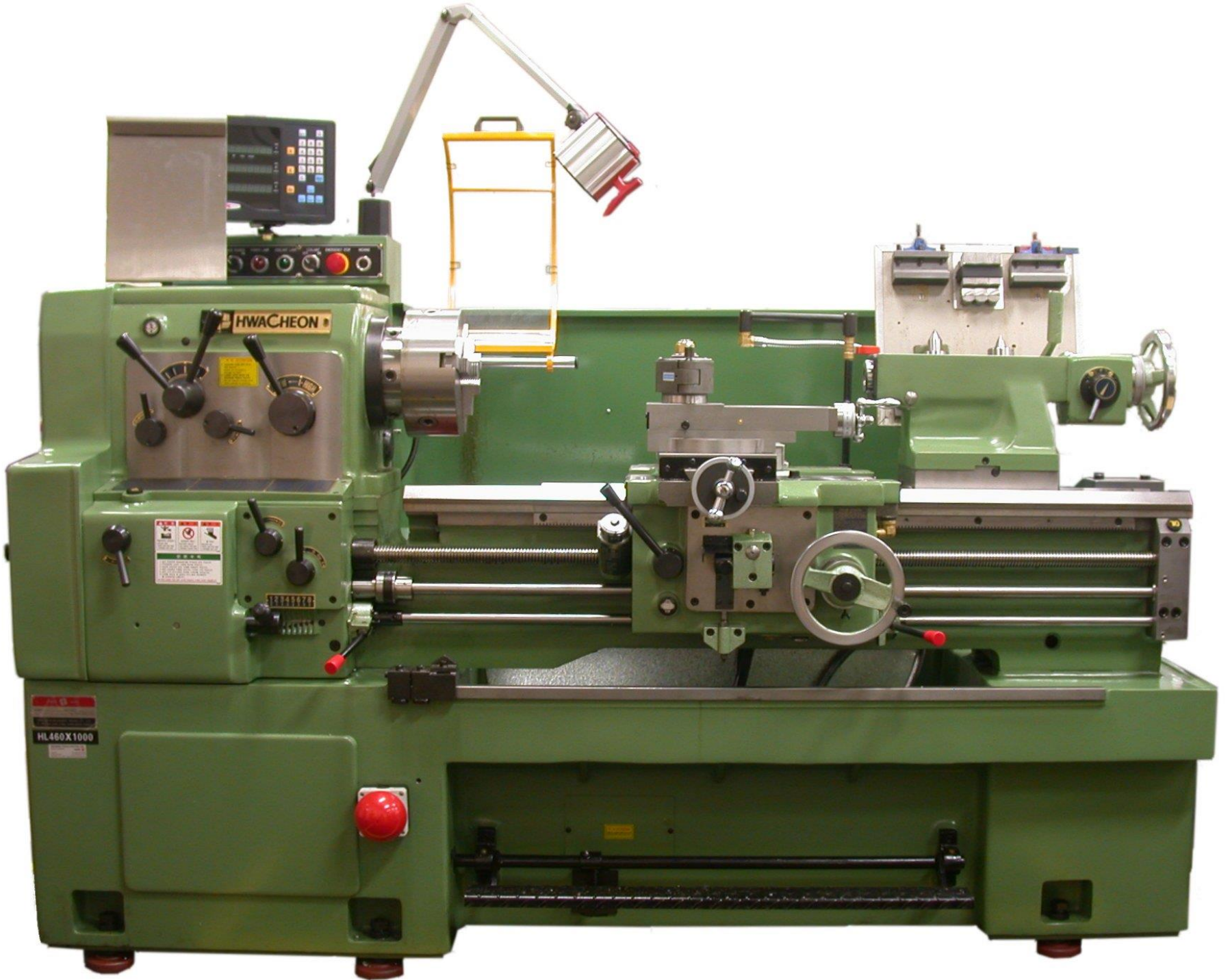




VIEW ON "A"



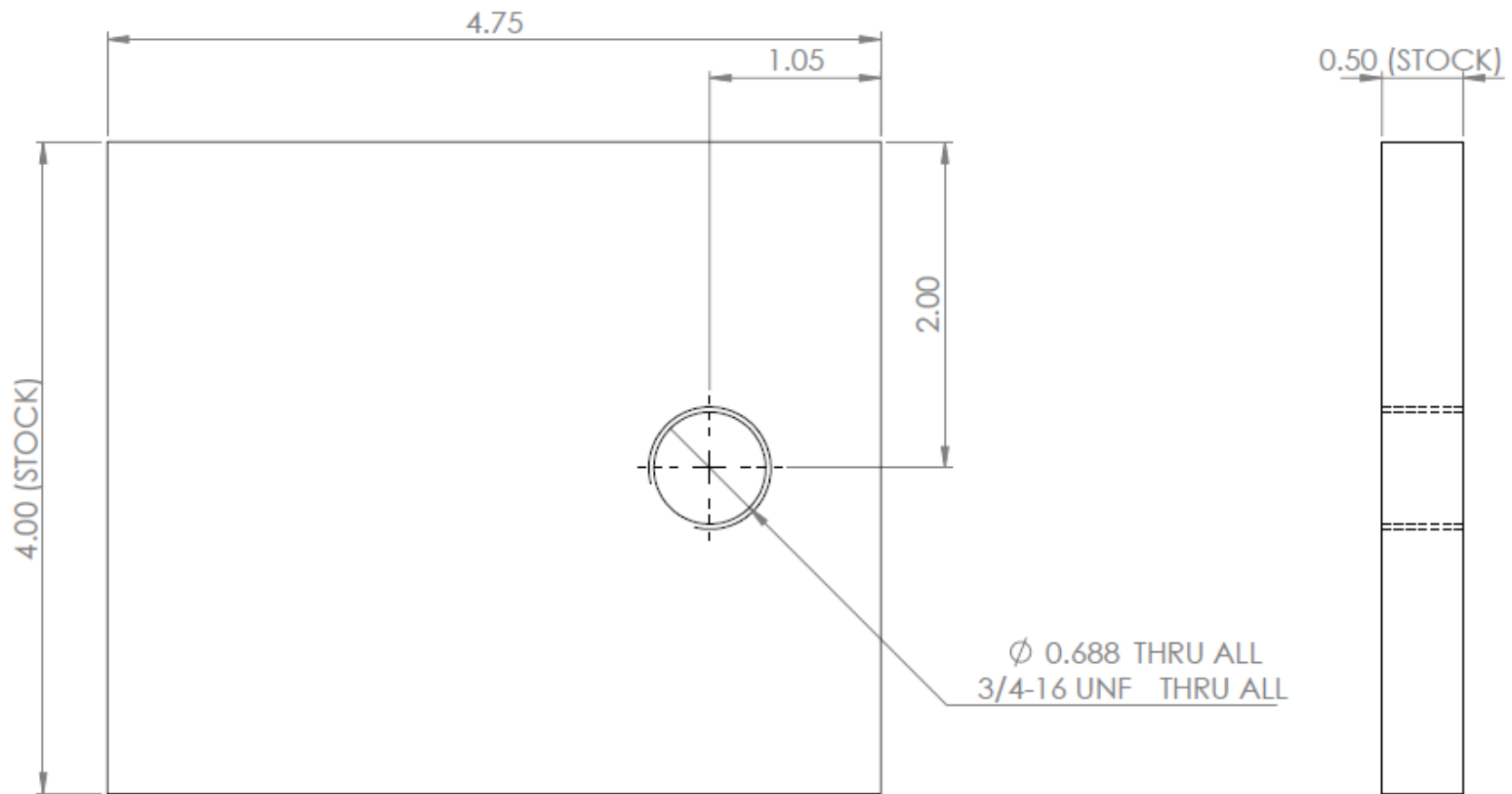
Emerson Lab 116 Rhodes Hall Ithaca, NY 14853		PROJECT	MAE 2250 LAMP
		PART	STEM
		MATERIAL	Al 6061-T6
		SCALE	1.25:1
DRAWN	Ben Werner	UNITS	INCHES
DATE	2/15/11	TOLERANCE	\pm .005



Have you used a MIILL before

- **A: Yes**
- **B: Never**

- **E: Whatever**



Note:
Deburr all sharp edges

Emerson Lab 116 Rhodes Hall Ithaca, NY 14853		PROJECT	MAE 2250 LAMP
		PART	BASE
		MATERIAL	Al 6061-T6
SCALE	1:1	UNITS	INCHES
DRAWN	Ben Werner	TOLERANCE	±.005
DATE	2/15/11		



Have you used a LATHE before

- **A: Yes**
- **B: Never**

- **E: Whatever**

Grade based on

(a) completeness

(b) correct dimensions

(c) final assembly

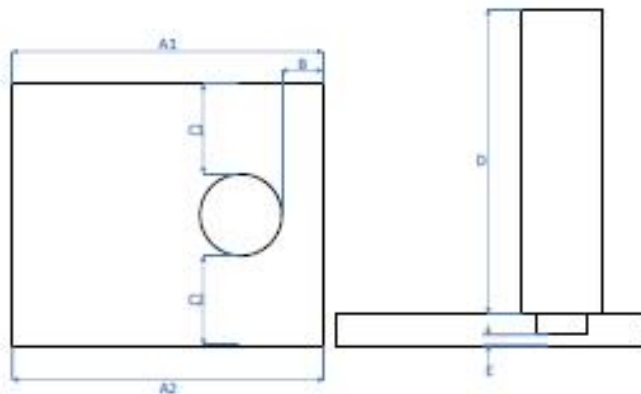
(d) craftsmanship

Final report for Lamp project

Name: _____ Net ID _____

Section (circle one): Mon Tue Wed Thu Fri Mon-Eve Wed-Eve

1. Insert a clean, focused picture of your lamp in an uncluttered background



2. Provide the following measurements (see above)

Dimension	Nominal	Actual	Difference	Reserved for TA
A1: Base width top	4.75"			
A2: Base width bottom	4.75"			
B: Stem to edge	0.425			
C1: Stem to top	1.375"			
C2: Stem to bottom	1.375"			
D: Stem height from base	4.65"			
E: Stem flush with base	0"			
Total:				